

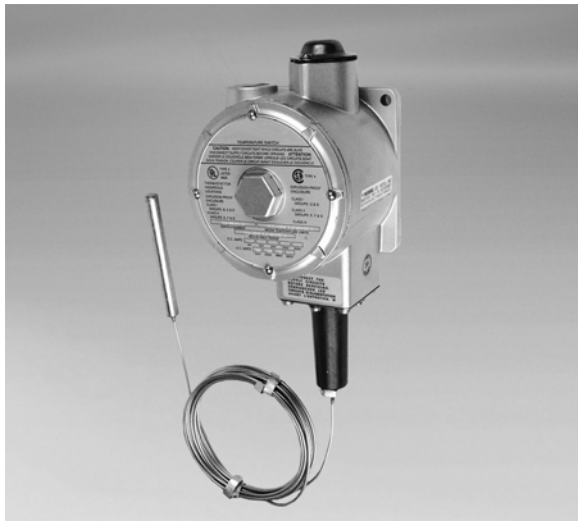
NELSON™ HEAT TRACE

TH7600 THERMOSTAT

SPECIFICATION / APPLICATION

INSTALLATION

DESCRIPTION



ENCLOSURE

Cast Aluminum

CLASSIFICATIONS

NEMA Type 4, 7, 9 IP66

TEMPERATURE RANGE

Range
160 to 315°C (320 to 600°F)

CAPILLARY

| | | |
|---------------|-----------------|------------------------------|
| Length | Material | Max. Bulb Temperature |
| 3.7m (12ft.) | Stainless Steel | 340°C (650°F) |

ELECTRICAL DATA

| | |
|--------------------------|--------------------------|
| CSA Rating | UL Rating |
| 22 amp resistance 480VAC | 22 amp resistance 480VAC |

CALIBRATION ACCURACY

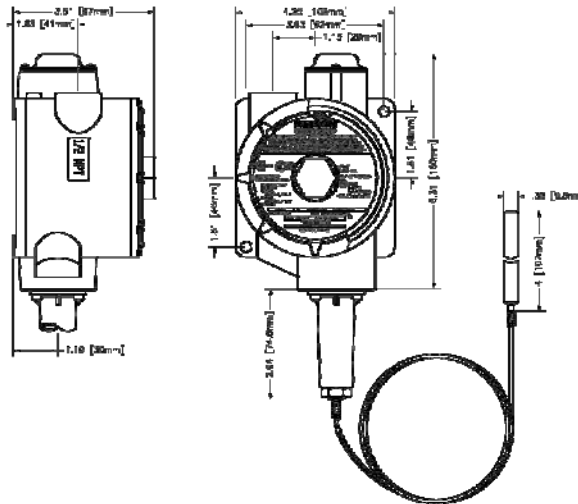
1.6°C (3°F)

SWITCH TYPE

Single Pole Double Throw

These thermostats are used for controlling heat tracing systems in hazardous locations. The capillary bulb should be mounted on the side of the pipe.

OUTLINE



Annual Maintenance:

1. Remove cover.
2. Spray a coat of lubricant and rust preventative such as CRC Stor & Lube, electrical grade, on the thermostat body.
3. Replace cover.

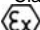
Approvals:

Hazardous Locations

UL - Class I, II & III, Groups B, C, D, E, F, G - E58658

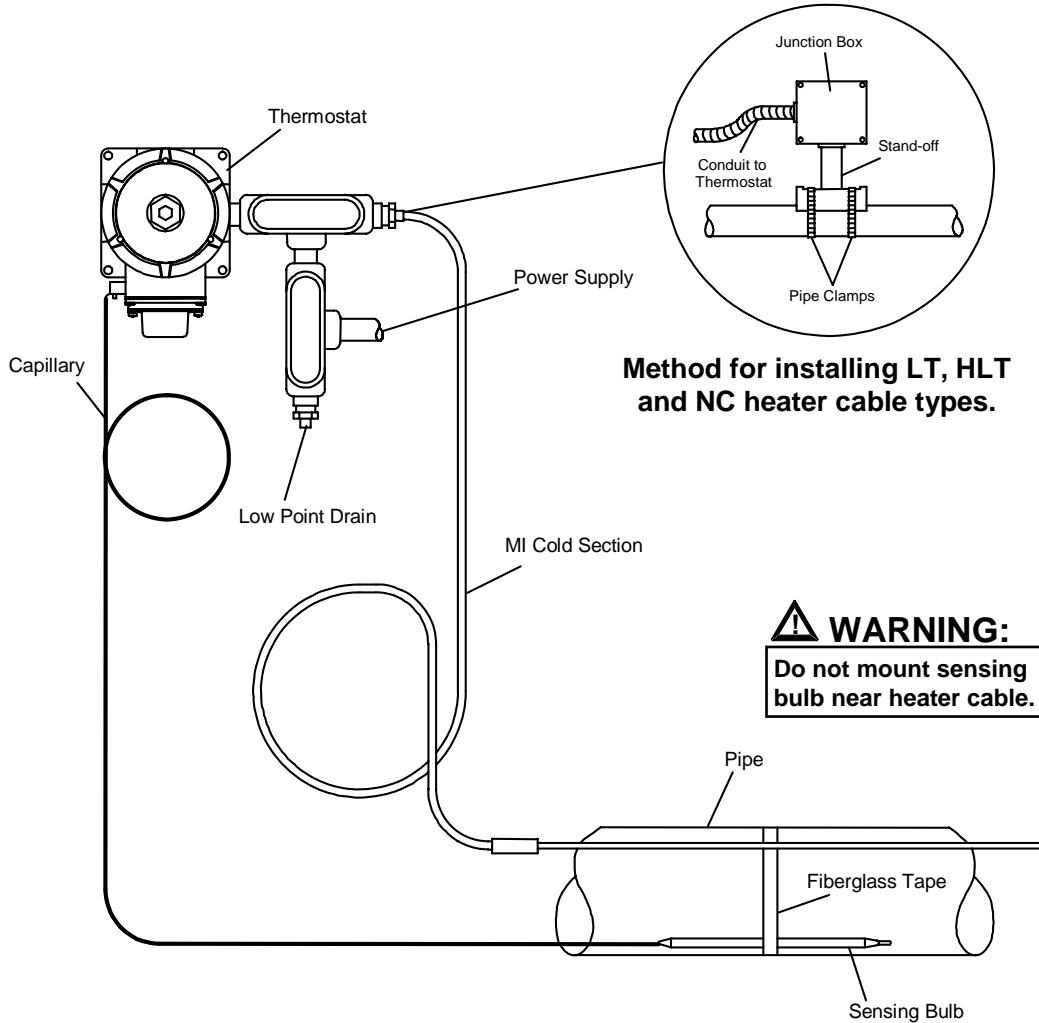
CSA - Class I & II, Groups B, C, D, E, F, G - LR34556
CIII, Encl. Type 4

- Class I, Zone 1, Ex d IIB+ H₂

ATEX -  II 2 G D, Ex d IIC T6 - ISSeP08ATEX029X

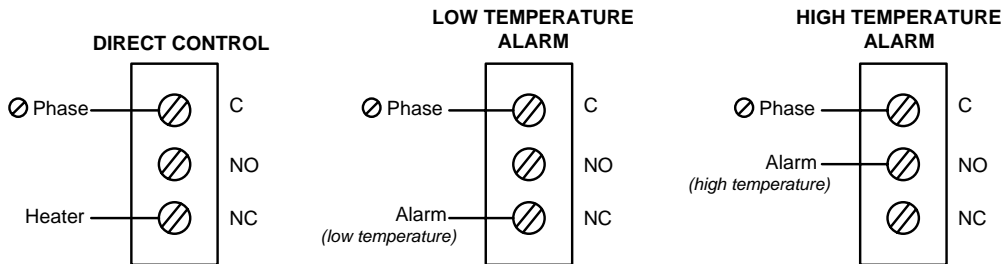
Ex tD A21 IP6X T80°C
-40°C < T_{amb} < +75°C

INSTALLATION



WARNING:
 Do not mount sensing bulb near heater cable.

WIRING DIAGRAM



Nelson Heat Tracing Systems products are supplied with a limited warranty. Complete Terms and Conditions may be found on Nelson's website at www.nelsonheaters.com.